

DEL/E 80 DEL/E 120 DEL/E 180

DISCONTINUED STOCK
 information for reference only

All dimensions shown are in millimetres

All steel construction: **dia 22mm x 1.25mm tubes**
 30x40mm D-shaped headers

Connections: **1.2m long flying lead (3 core)**

Immersion heater rating: **IPX4 or better**

Model	Output		Chrome Finish Output		Weight kg	Height ± 2mm	Length ± 2mm	Fixing Centres ± 2mm
	Watts	BTU	Watts	BTU				
DEL/E 80-50	300	1023	250	853	13	727	500	612
DEL/E 120-50	500	1705	400	1364	20	1159	500	1044
DEL/E 180-50	700	2387	500	1705	30	1735	500	1620
DEL/E 80-60	400	1364	300	1023	16	727	600	612
DEL/E 120-60	500	1705	400	1364	23	1159	600	1044
DEL/E 180-60	700	2387	700	2387	36	1735	600	1620

Tools & Material Required

- Tape measure
- Screwdriver - crosshead
- Electric drill
- Masonry drill bit - 8mm diameter
- Spirit level
- Stepladder (for taller radiators)

Key	Component	Qty
A	Clamp - Outer	3
B	Clamp - Inner	3
C	Boss	3
D	Screw - Skt Head, M5 x 55mm	3
E	Wall Plug	3
F	Bracket	3
G	Screw - Csk Head, 5mm dia x 60mm	3
H	Grub Screw	3
I	Allen Key	1

Assembly Instructions

Assemble outer clamp (A), inner clamp (B) & boss (C) on radiator with screw (D).

Accurately mark out bracket holes on wall using spirit level.

Drill three 8mm diameter holes to a minimum depth of 65mm & insert wall plugs (E). Screw brackets (F) into wall plugs (E) with 5mm diameter x 60mm screws (G).

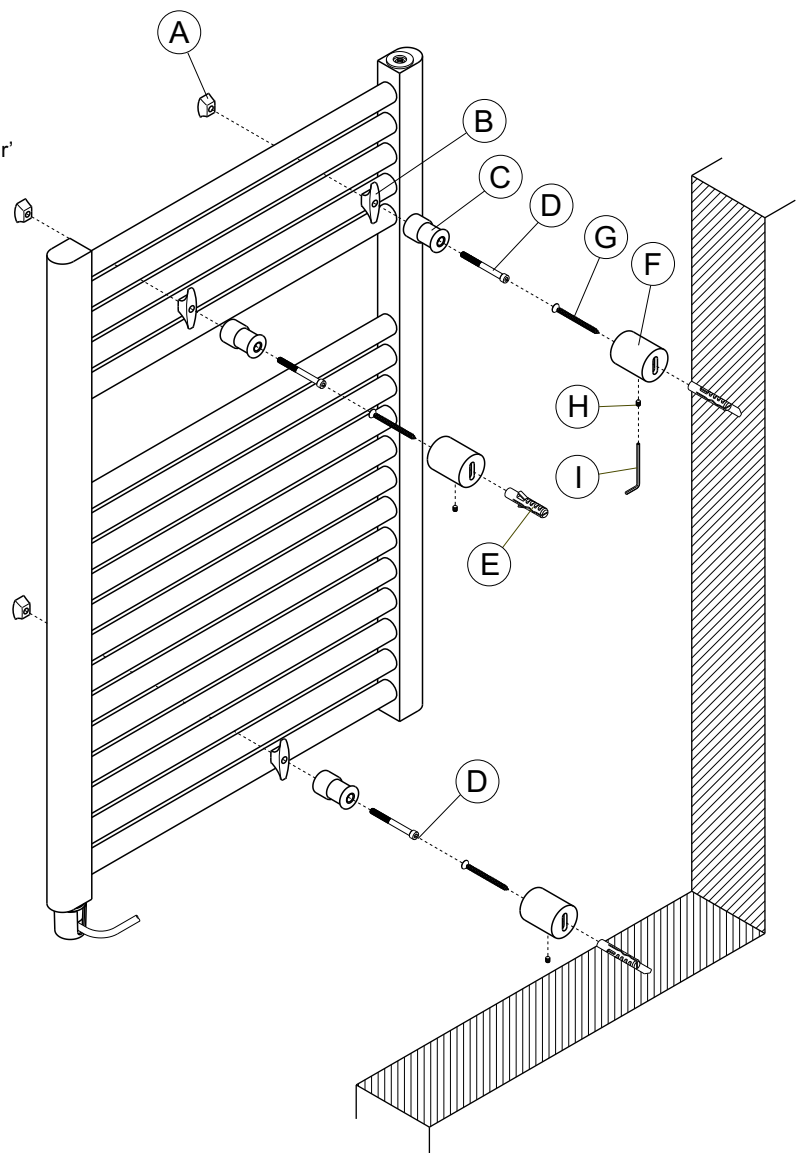
Offer radiator up to wall and slide boss (C) into bracket (F).

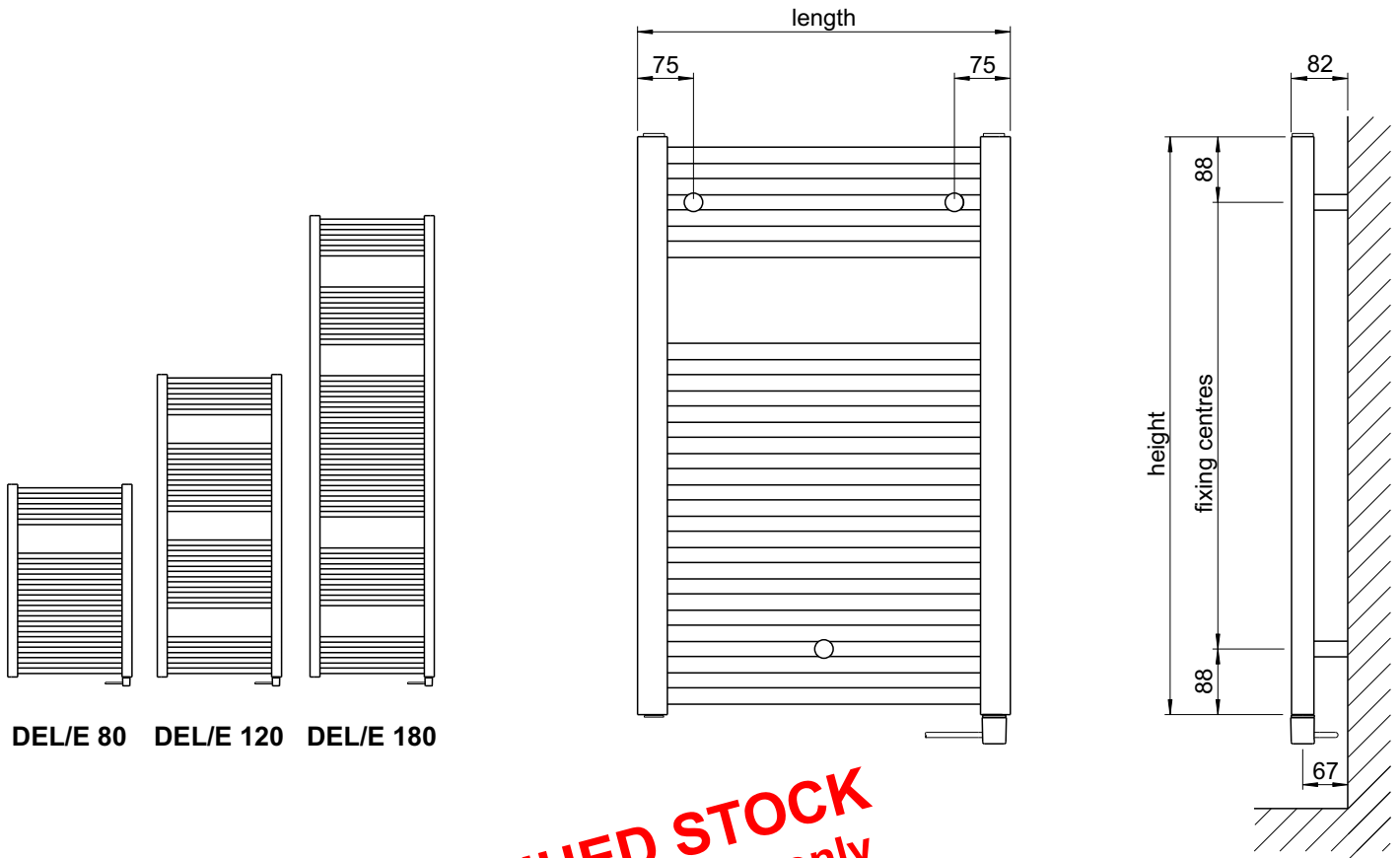
Secure in position by tightening grub screw (H) with Allen key (I).

Electric radiators should be fitted only by a qualified electrician and must be earthed and connected to a cable outlet in the bathroom in accordance with I.E.E. wiring regulations. The electrical connection should be made to a '5 amp fused fixed spur' located outside the bathroom.

Note: for maintenance purposes, cable outlets must remain accessible and cables must not be buried directly into walls.

DISCONTINUED STOCK
 information for reference only





DISCONTINUED STOCK
 information for reference only

All dimensions shown are in millimetres

All steel construction: **dia 22mm x 1.5mm tubes**
30x40mm D-shaped headers

Connections: **1.2m long flying lead (3 core)**

Immersion heater rating: **IPX4 or better**

Model	Output Watts	Chrome Finish		Weight kg	Height ± 2mm	Length ± 2mm	Fixing Centres ± 2mm
		Output Watts	Output Watts				
DEL/E 80-50	300	200		13	775	500	599
DEL/E 120-50	400	300		20	1217	500	1041
DEL/E 180-50	700	400		30	1856	500	1680
DEL/E 80-60	400	250		16	775	600	599
DEL/E 120-60	500	300		23	1217	600	1041
DEL/E 180-60	700	500		36	1856	600	1680

Tools & Material Required

- Tape measure
- Screwdriver - crosshead
- Pliers
- Electric drill
- Masonry drill bit
- Spirit level
- Stepladder (for taller radiators)

Key	Component	Qty
A	Clamp - Outer	3
B	Clamp - Inner	3
C	Boss	3
D	Wall Plug	3
E	Bracket	3
F	Screw - Hex Head, 6mm dia x 70mm	3
G	Grub Screw	3
H	Allen Key	1

Assembly Instructions

- Loosely assemble outer clamps (A), inner clamps (B) & bosses (C) on radiator.
- Accurately mark out bracket holes on wall using spirit level.
- Drill three holes to a minimum depth of 65mm & insert wall plugs (D). Screw brackets (E) into wall plugs (D) with 6mm diameter x 70mm screws (F).
- Offer radiator up to wall and slide bosses (C) into bracket (E).
- Secure in position by tightening grub screw (G) with Allen key (H).
- Tighten outer clamps (B).

Electric radiators should be fitted only by a qualified electrician and must be earthed and connected to a cable outlet in the bathroom in accordance with I.E.E. wiring regulations. The electrical connection should be made to a '5 amp fused fixed spur' located outside the bathroom.

Note: for maintenance purposes, cable outlets must remain accessible and cables must not be buried directly into walls.

DISCONTINUED STOCK
 information for reference only

