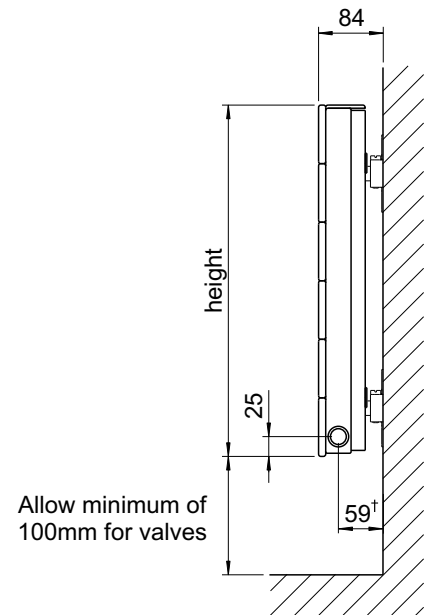


note: flow & return can be reversed if required



[†] The pipework connections are very close to the wall. If you want to use angled valves, the only suitable Bisque valves are sets T & K

All dimensions shown are in millimetres

- Test pressure: **5.2 BAR**
- Max working pressure: **4 BAR (6 or 10 available)**
- Max working temperature: **120° C**
- All steel construction: **2mm header thickness**
1.25mm panel thickness
- Connections: **½ inch BSP opposite end tapings**

Heat output determined in accordance with EN 442

Reg. Number 2300E-2308E

Manufactured for Bisque by Arbonia AG of Switzerland

DISCONTINUED STOCK
information for reference only

Model	Output* ΔT=50K Watts	Output* ΔT=60K Watts	n	Water Content litres	Weight kg	Height ± 2mm	Length ± 2mm	Tapping Centres ± 2mm	Fixing Centres ± 2mm
DH 36-80	537	675	1.26	2.1	13	369	800	n/a	600
DH 36-120	806	1014	1.26	3.2	19	369	1200	n/a	1000
DH 36-150	1007	1267	1.26	4.0	24	369	1500	n/a	1300
DH 44-80	622	784	1.27	2.6	15	443	800	n/a	600
DH 44-120	932	1175	1.27	3.9	22	443	1200	n/a	1000
DH 51-60	528	667	1.28	2.3	13	517	600	n/a	400
DH 51-80	705	890	1.28	3.1	17	517	800	n/a	600
DH 51-100	881	1112	1.28	3.8	22	517	1000	n/a	800
DH 51-120	1057	1334	1.28	4.6	26	517	1200	n/a	1000
DH 51-150	1322	1669	1.28	5.7	33	517	1500	n/a	1300
DH 59-80	784	992	1.29	3.5	20	591	800	n/a	600
DH 59-120	1175	1487	1.29	5.3	30	591	1200	n/a	1000
DH 59-150	1469	1859	1.29	6.6	37	591	1500	n/a	1300

Tools & Material Required

- Wall plugs - 7mm
- Screws - 4mm diameter x 50mm length
- Suitable valves
- PTFE tape
- Silicone thread sealant
- Tape measure
- Allen key - 13mm & 12mm (when installing Bisque valves)
- Spanner - 14mm
- Screwdriver
- Electric drill
- Masonry drill bit - 7mm diameter
- Spirit level
- Stepladder (for taller radiators)

Key	Component	Qty
A	Air Vent - 1/4"	1
B	Wall Plug*	8
C	Bracket	4
D	Screw - 4mm dia x 50mm*	8
E	Air Vent Key	1

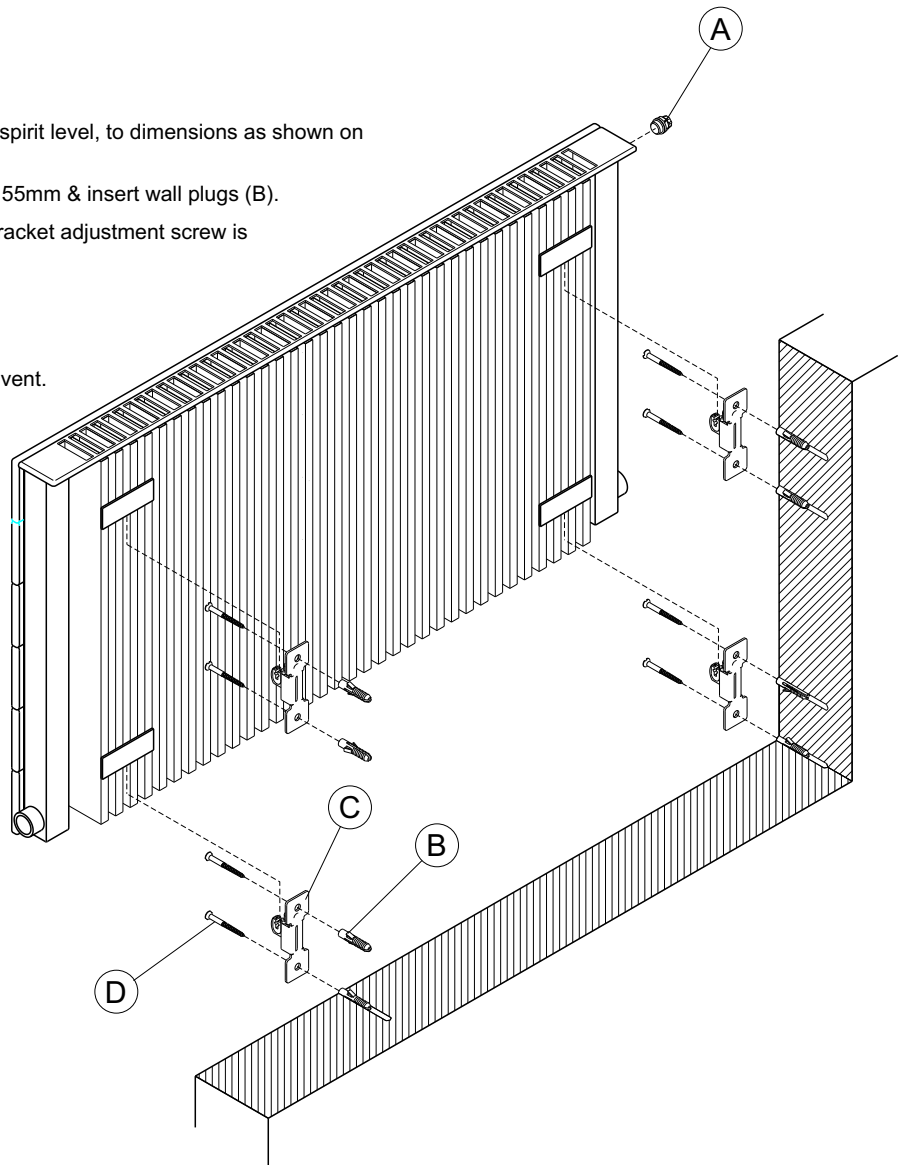
* Wall Plugs & Screws not supplied

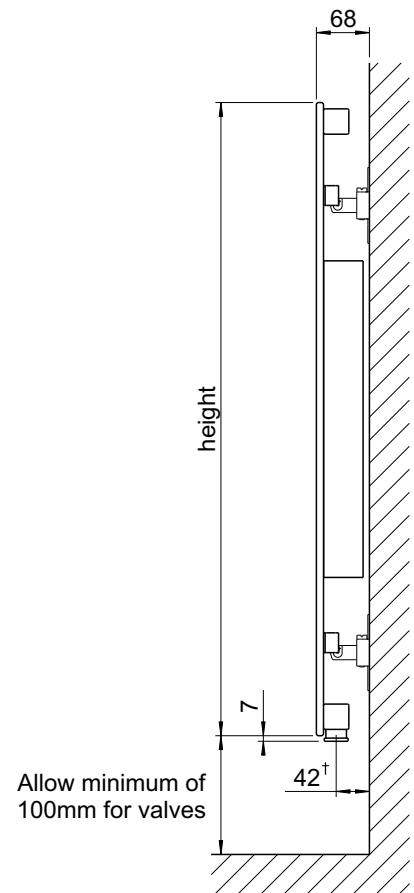
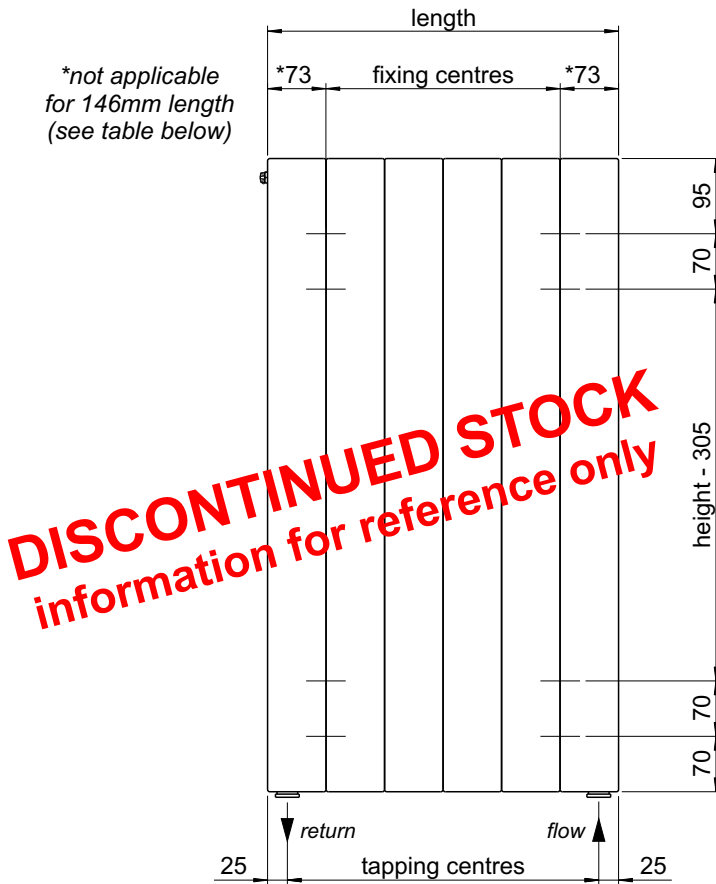
DISCONTINUED STOCK
information for reference only

Assembly Instructions

Sufficient PTFE tape must be applied to valve-tail threads prior to their installation.
Silicone thread sealant should be applied to all threaded components manufactured with 'O-rings'.

- Fit valve tails, using correct size Allen key.
- Fit air vent (A).
- Accurately mark out eight bracket holes on wall using spirit level, to dimensions as shown on Technical Data Sheet.
- Drill eight 7mm diameter holes to a minimum depth of 55mm & insert wall plugs (B).
- Attach brackets (C) to wall with screws (D) ensuring bracket adjustment screw is uppermost.
- Hang radiator onto brackets (C).
- Adjust screws on top of brackets (C) to level radiator.
- Plumb radiator to heating circuit with flow opposite air vent.





All dimensions shown are in millimetres

- Test pressure: **5.2 BAR**
- Max working pressure: **4 BAR (6 or 10 available)**
- Max working temperature: **120° C**
- All steel construction: **2mm header thickness**
1.25mm panel thickness
- Connections: **½ inch BSP underside tappings**

Heat output determined in accordance with EN 442

Reg. Number 2300E-2308E

Manufactured for Bisque by Arbonia AG of Switzerland

† The pipework connections are very close to the wall. If you want to use angled valves, the only suitable Bisque valves are set T.

Model	Output* ΔT=50K Watts	Output* ΔT=60K Watts	n	Water Content litres	Weight kg	Height ± 2mm	Length ± 2mm	Tapping Centres ± 2mm	Fixing Centres ± 2mm
DVL 80-29	333	421	1.29	2.0	11	800	294	244	148
DVL 150-22	434	554	1.34	2.3	16	1500	220	170	74
DVL 150-29	580	739	1.34	3.1	21	1500	294	244	148
DVL 150-36	725	925	1.34	3.9	27	1500	368	318	222
DVL 150-44	871	1110	1.34	4.7	31	1500	442	392	296
DVL 150-51	1180	1503	1.34	5.5	36	1500	517	467	371
DVL 180-22	509	651	1.35	2.8	19	1800	220	170	74
DVL 180-29	680	870	1.35	3.7	25	1800	294	244	148
DVL 180-36	850	1087	1.35	4.7	32	1800	368	318	222
DVL 180-44	1021	1306	1.35	5.6	37	1800	442	392	296
DVL 220-14	408	516	1.35	2.3	15	2200	146	96	74
DVL 220-36	1021	1291	1.35	5.6	37	2200	363	313	217

Tools & Material Required

- Wall plugs - 7mm
- Screws - 4mm diameter x 50mm length
- Suitable valves
- PTFE tape
- Silicone thread sealant
- Tape measure
- Allen key - 13mm & 12mm (when installing Bisque valves)
- Spanner - 14mm
- Screwdriver
- Electric drill
- Masonry drill bit - 7mm diameter
- Spirit level
- Stepladder (for taller radiators)

Key	Component	Qty
A	Air Vent - 1/4"	1
B	Wall Plug*	8
C	Bracket	4
D	Screw - 4mm dia x 50mm*	8
E	Air Vent Key	1

* Wall Plugs & Screws not supplied

DISCONTINUED STOCK
information for reference only

Assembly Instructions

Sufficient PTFE tape must be applied to valve-tail threads prior to their installation.
Silicone thread sealant should be applied to all threaded components manufactured with 'O-rings'.

- Fit valve tails, using correct size Allen key.
- Fit air vent (A).
- Accurately mark out eight bracket holes on wall using spirit level, to dimensions as shown on Technical Data Sheet.
- Drill eight 7mm diameter holes to a minimum depth of 55mm & insert wall plugs (B).
- Attach brackets (C) to wall with screws (D) ensuring bracket adjustment screw is uppermost.
- Hang radiator onto brackets (C).
- Adjust screws on top of brackets (C) to level radiator.
- Plumb radiator to heating circuit with flow opposite air vent.

